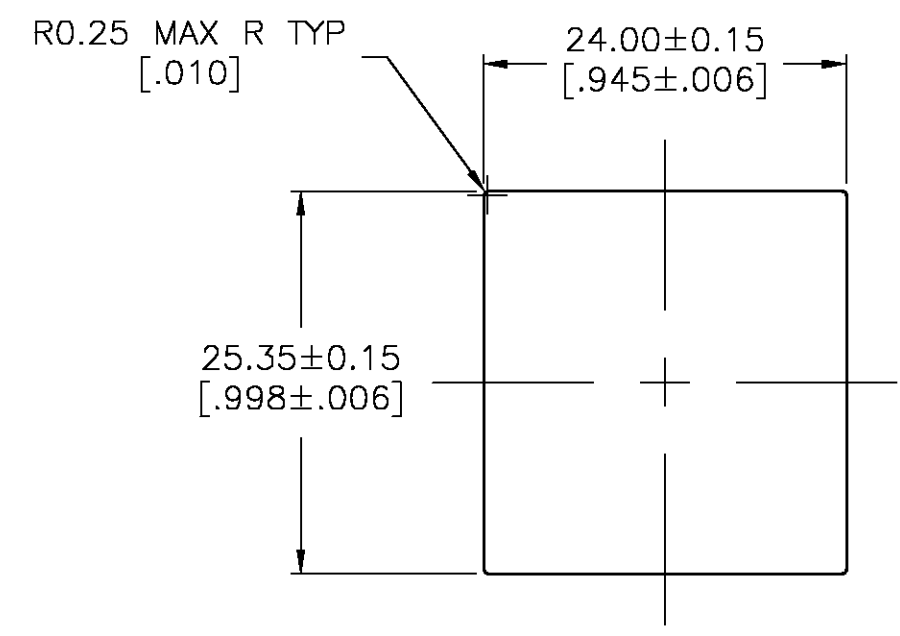
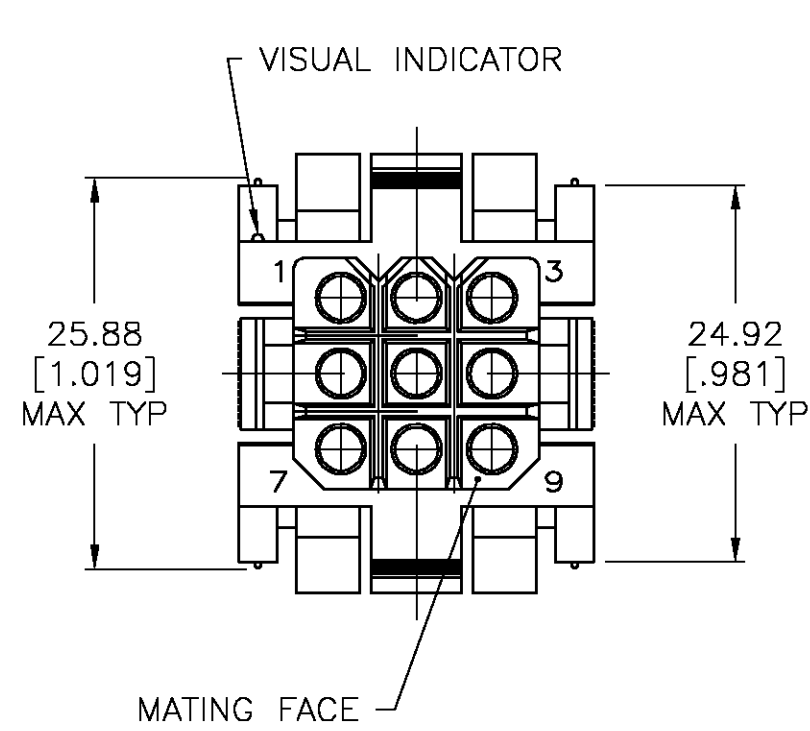
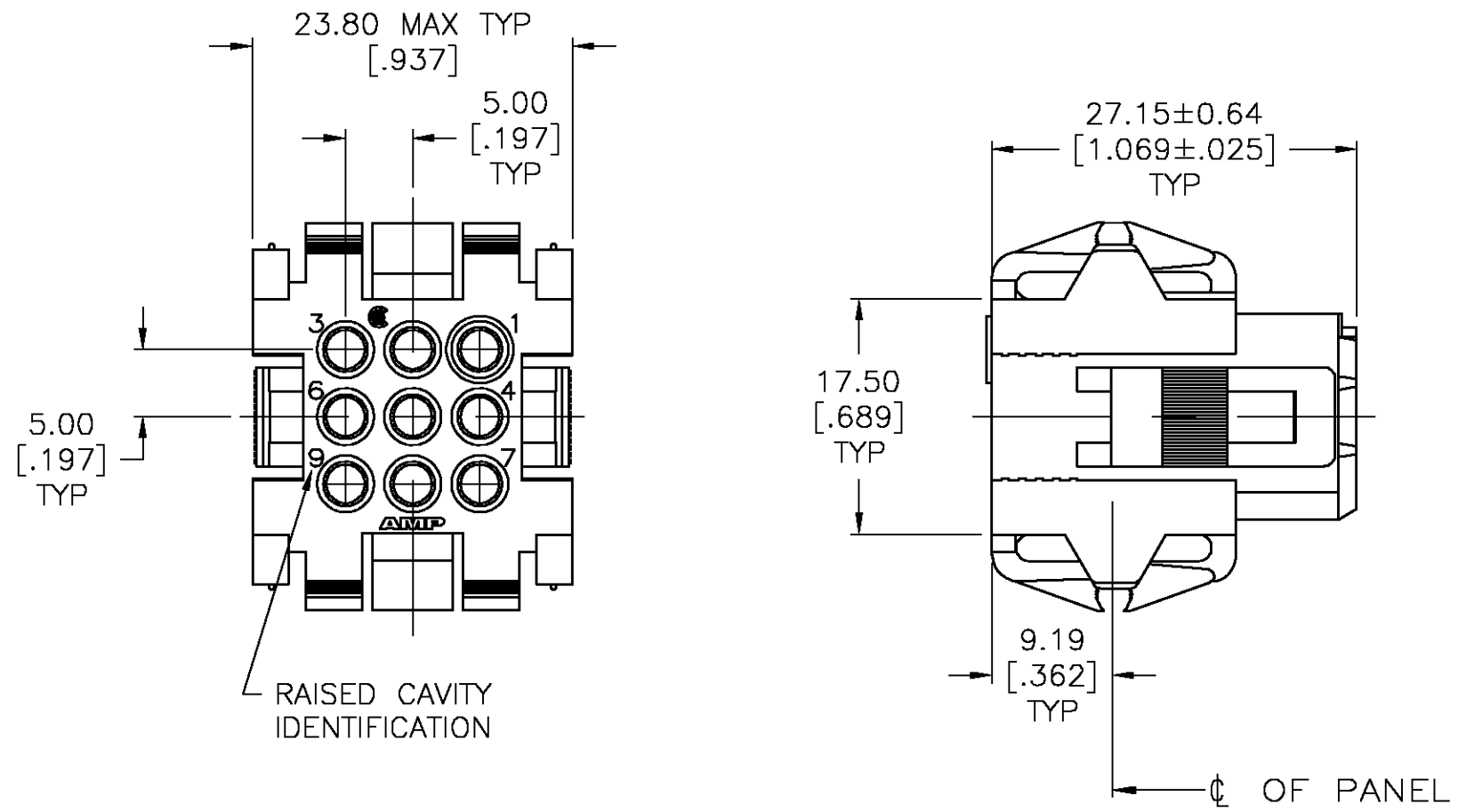


THIS DRAWING IS UNPUBLISHED. RELEASED FOR PUBLICATION
 © COPYRIGHT BY TYCO ELECTRONICS CORPORATION. ALL RIGHTS RESERVED.

LOC		DIST		REVISIONS			
P	LTR	DESCRIPTION		DATE	DWN	APVD	
FT	0	G		REVISED PER 0G3B-0021-04	1/19/04	SS	GS



PANEL CUTOUT

1. PANEL RETENTION MECHANISM ACCOMMODATES PANEL THICKNESSES FROM 0.76[.030] TO 2.29[.090].

207439-1
PART NO.

THIS DRAWING IS A CONTROLLED DOCUMENT.		DWN W.LENKER 08/26/92	Tyco Electronics Corporation Harrisburg, PA 17105		
DIMENSIONS: MM		CHK R.STONE 8-31-92			
TOLERANCES UNLESS OTHERWISE SPECIFIED: 0 PLC ± - 1 PLC ± - 2 PLC ± .010 3 PLC ± - 4 PLC ± - ANGLES ± - FINISH -		APVD -	NAME HOUSING, PLUG, 9 POSITION, METRIMATE		
MATERIAL NYLON, COLOR: RED		PRODUCT SPEC 108-10033	SIZE A2	CAGE CODE 00779	DRAWING NO C=207439
		WEIGHT -	SCALE 2:1	SHEET 1 OF 1	REV G
		CUSTOMER DRAWING		RESTRICTED TO	